

Fax:+86-913-2083379

Tel:+86-913-2083389

Mobile:+86-13609130651

E-mail:zhang@united-mech.net



UMC

SHAANXI UNITED  
MECHANICAL CO.,LTD

UMC

UMC  
UMC  
UMC  
UMC  
UMC



SHAANXI UNITED  
MECHANICAL CO.,LTD

NO.8, Mingguang Road, Innovation and Entrepreneurship Base,  
Linwei District, Weinan City, Shaanxi Province 714015, China.

[Http://www.sxunite.com](http://www.sxunite.com)



## COMPANY PROFILE

Founded in July 2011, Shaanxi United Mechanical Co.,Ltd has the registered capital of RMB 11 million. Currently it has more than 50 employees, including 2senior engineers,5 engineers and 3 senior technicians.

The company mainly manufactures the cementing equipment such as rigid centralizers , bow-spring casing centralizers, ESP cable protectors as well as the stop collars usd for the rigid centralizers and bow-spring casing centralizers. According to different processing technology, rigid centralizers can be classified into welded rigid centralizers and one-piece rigid centralizers, while bow-spring casing centralizers consist of one-piece bow-spring

casing centralizers and high-performance one-piece bow-spring casing centralizers . Currently the company can manufacture seven kinds of cable protectors with more than 30 different specifications. The products of our company have the advantages for easy to use, reliable quality, safe and environmental protection.

The objective of our company is to develop more newer and more practical products for the oil industry through our professional, dedicated, creative and harmonious team.

The tenet of the company is solidarity and creativity.

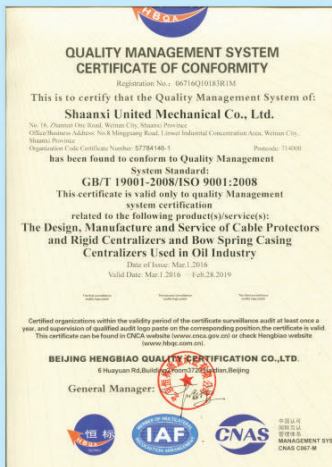
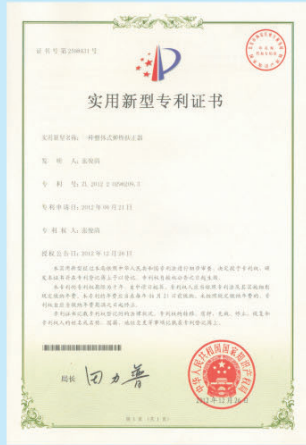
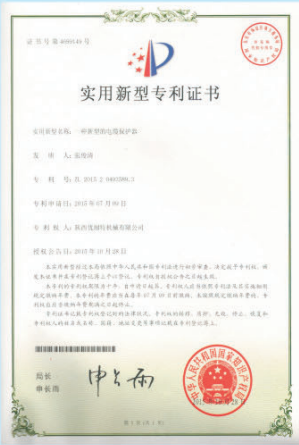
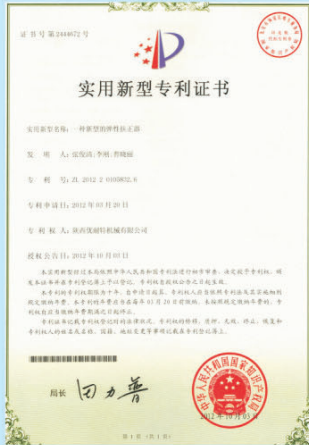


SHAANXI UNITED  
MECHANICAL CO.,LTD  
Http://www.sxunite.com

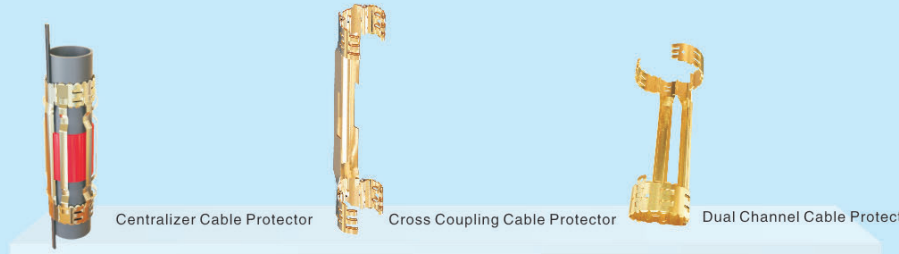
# Enterprise Honor

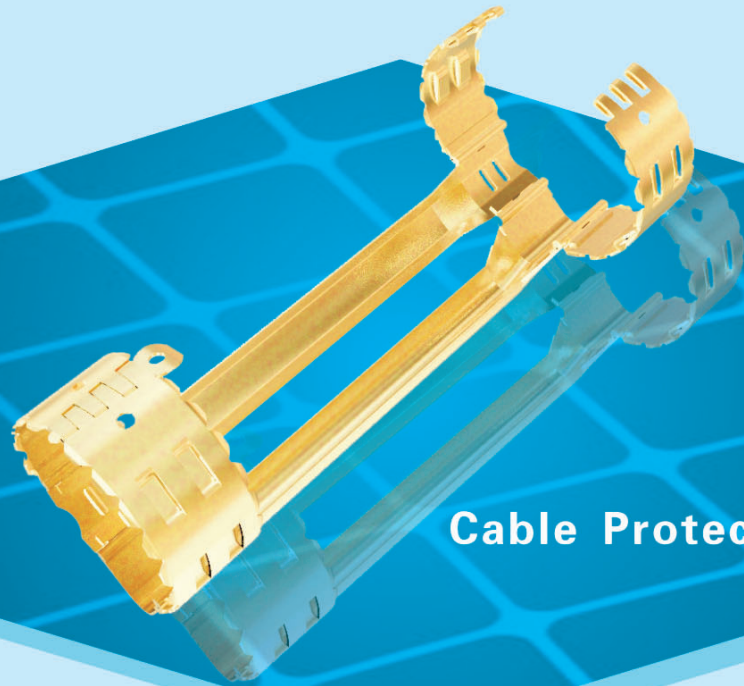


- utility model patent certificate (integral elastic stabilizer 2012/10)
- utility model patent certificate (cable protector 2015)
- utility model patent certificate (integral elastic stabilizer 2012/12)
- quality management system certification
- American Petroleum Institute Certification



# The Main Products





## Cable Protectors

**UMC cable protectors are ideal for securing virtually any size of ESP cables, control lines, umbilicals and encapsulated bundles on the API tubings in well-bores in a safe and efficient way.**

## Cable Protectors

### Features :

- All UMC cable protectors have double protection to resist corrosion.
- All hinges are spot-welded to enhance the overall integrity of the product.
- Spring friction pad gripping system for superior grip.
- Slip and rotation resistant.
- Non-destructive gripping action.
- Designed to eliminate compression-reduced damages to the conductors.

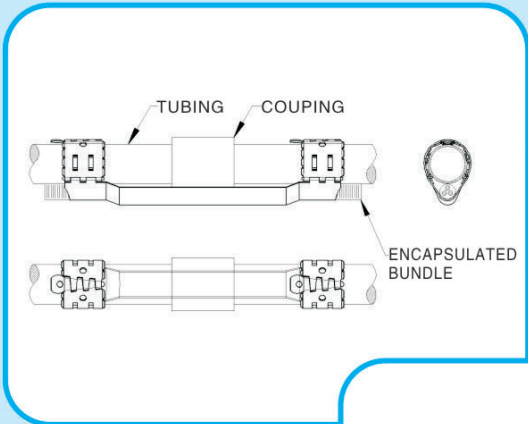
### Design Specifications:

- Manufactured of low carbon steel or stainless steel
- Available as cross-coupling and mid-joint protectors
- Suitable for API tubing sizes from 2 3/8" to 7"
- Configured for flat, round or square cables, chemical injection lines, umbilicals etc.
- Multichannel design is available to separate multiple lines
- Customized upon request

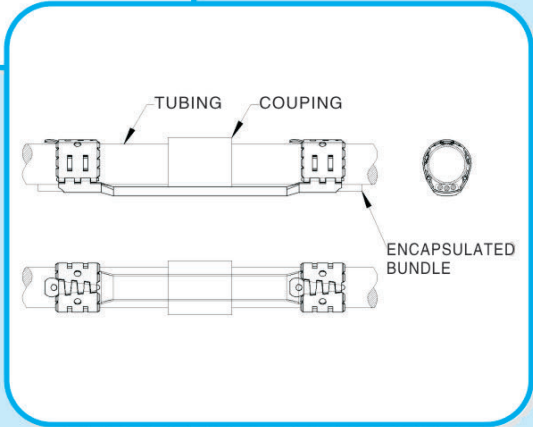


## Fine cut Quality assurance

### Cable Protector Configuration



Round Channel

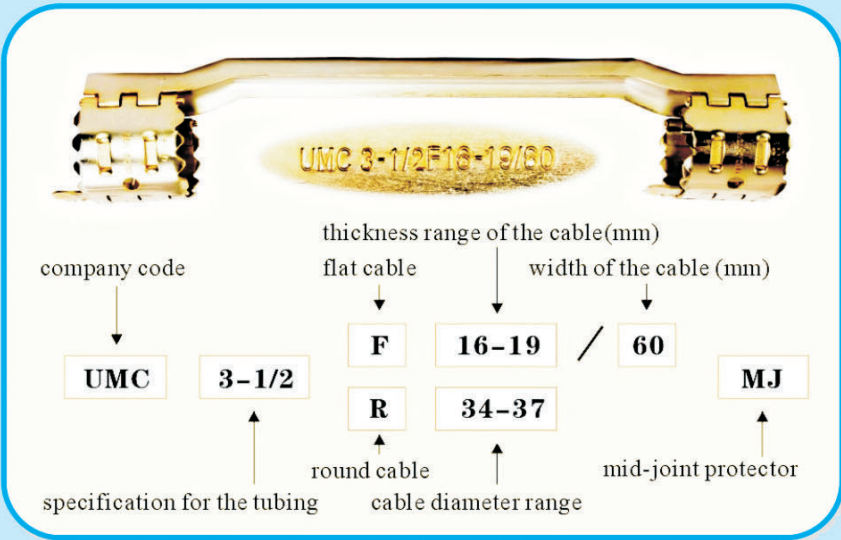


Flat Channel

## Cable Protectors



### Specification Guide





# The Cable Protector Instruction



| TUBING | Specifications for cable protectors |                    |                       |                        | *(Special solutions are available upon request) |                       |                    |                    |                    |
|--------|-------------------------------------|--------------------|-----------------------|------------------------|---|-----------------------|--------------------|--------------------|--------------------|
| 2-3/8" | UMC-2 3/8R6                         | UMC-2 3/8F11/34    |                       |                        |   |                       | UMC-2 3/8R32-34    |                    |                    |
|        | UMC-2 3/8R6-MJ                      | UMC-2 3/8F11/34-MJ |                       |                        |   |                       | UMC-2 3/8R32-34-MJ |                    |                    |
| 2-7/8" | UMC-2 7/8R6                         | UMC-2 7/8F11/34    | UMC-2 7/8F16-19/56    | UMC-2 7/8F16-19/70     | UMC-2 7/8F11-16/56                              |                       | UMC-2 7/8R30-33    | UMC-2 7/8R34-37    |                    |
|        | UMC-2 7/8R6-MJ                      | UMC-2 7/8F11/34-MJ | UMC-2 7/8F16-19/56-MJ | UMC-2 7/8F16-19/70-MJ  | UMC-2 7/8F11-16/56-MJ                           |                       | UMC-2 7/8R30-33-MJ | UMC-2 7/8R34-37-MJ |                    |
| 3-1/2" | UMC-3 1/2R6                         | UMC-3 1/2F11/34    | UMC-3 1/2F16-19/60    | UMC-3 1/2F16-19/70     | UMC-3 1/2F11-16/60                              | UMC-3 1/2F19-23/60    | UMC-3 1/2R30-33    | UMC-3 1/2R34-37    | UMC-3 1/2R38-42    |
|        | UMC-3 1/2R6-MJ                      | UMC-3 1/2F11/34-MJ | UMC-3 1/2F16-19/60-MJ | UMC-3 1/2F16-19/70-MJ  | UMC-3 1/2F11-16/60-MJ                           | UMC-3 1/2F19-23/60-MJ | UMC-3 1/2R30-33-MJ | UMC-3 1/2R34-37-MJ | UMC-3 1/2R38-42-MJ |
| 4-1/2" | UMC-4 1/2R6                         | UMC-4 1/2F11/34    | UMC-4 1/2F16-19/60    |                        | UMC-4 1/2F11-16/56                              | UMC-4 1/2F19-23/60    |                    | UMC-4 1/2R34-37    | UMC-4 1/2R38-42    |
|        | UMC-4 1/2R6-MJ                      | UMC-4 1/2F11/34-MJ | UMC-4 1/2F16-19/60-MJ |                        | UMC-4 1/2F11-16/56-MJ                           | UMC-4 1/2F19-23/60-MJ |                    | UMC-4 1/2R34-37-MJ | UMC-4 1/2R38-42-MJ |
| 5-1/2" | UMC-5 1/2R6                         | UMC-5 1/2F11/34    |                       | UMC-5 1/2F16-19/70DUAL | UMC-5 1/2F11-16/56                              |                       |                    | UMC-5 1/2R34-37    |                    |
|        | UMC-5 1/2R6-MJ                      | UMC-5 1/2F11/34-MJ |                       | UMC-5 1/2F16-19/70-MJ  | UMC-5 1/2F11-16/56-MJ                           |                       |                    | UMC-5 1/2R34-37-MJ |                    |
| 7"     | UMC-7R6                             | UMC-7F11/34        |                       |                        |   |                       |                    |                    |                    |
|        | UMC-7R6-MJ                          | UMC-7F11/34-MJ     |                       |                        |   |                       |                    |                    |                    |



## Hydraulic Pneumatic Tools

Hydraulic pneumatic tools can securely install the cable protectors on the tubings and help an experienced operator place the tapered pin on the exact position of the protectors within 30 seconds. The tools consist of a foot-controlled or hand-controlled pneumatic hydraulic pump, a C-shaped holder assembly and a pneumatic hammer.

UMC can also supply simple manual installation tools.



Manual Installation Tools

Hydraulic Pneumatic Installation Tools



One-piece Rigid Centralizer

Molded by stamping and crimping the steel plates, the product is notable for its high precision and low cost.

Design of spiral and straight blades is



Weld Rigid Centralizer

Molded by stamping, crimping and welding the steel plates, the product can be applied to the operating environment with big altitude difference of the blades.

Design of spiral and straight blades is available upon request.



Straight Weld Rigid Centralizer

Spiral Weld Rigid Centralizer





### One-piece Bow - Spring Casing



**Product Features:**

- 1.It' s formed by rolling and pressing one -piece steel plate without separable components, thus thoroughly eliminating the possibility of salvage. Non-assembly feature can also maximize the working efficiency.
- 2.High machining accuracy. It can fit all sizes of the boreholes.
- 3.Tiny start force, low running force and low resistance.
- 4.Enhanced restoring force casing centering.
- 5. High strength and reliability. Its elasticity can meet the requirements of going down to the undergaged interval.
- 6.The index of this product exceed API standard for centralizers.

### High- Performance One -piece Bow - Spring Casing Centralizer



**Product Features:**

- 1. It' s formed by rolling and pressing one -piece steel plate without separable components, thus thoroughly eliminating the possibility of salvage. Non-assembly feature can also maximize the working efficiency.
- 2.High machining accuracy. It can fit all sizes of the boreholes.
- 3.Tiny start force, low running force and low resistance.
- 4.Enhanced restoring force casing centering.
- 5. High strength and reliability. Its elasticity can meet the requirements of going down to the undergaged interval.
- 6.The index of this product exceed API standard for centralizers.
- 7.Designed with the guide structure which can make the product successfully run into the well.
- 8.The mechanical principle during the use of the product is changed.

## Reputation first Quality first



- When we are operating the test and acquiring the data, our company are strictly in accordance with the API 10D(the 6th edition) requirement of the Bow Spring Casing Centralizer.



- Our Bow Spring Casing Cengtralizer Comprehensive performance test equipment which is notable for its high precision, Ensures the accuracy and intuitive of the test data.